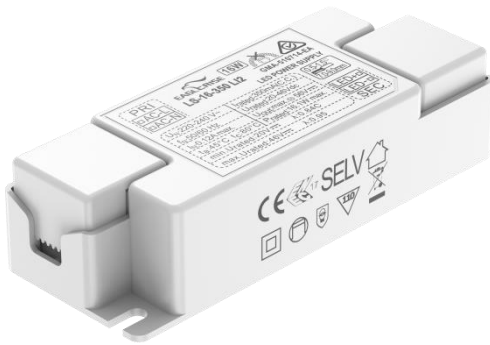


## 16W Constant Current power supply



■ Approve



### Features

- Class II, SELV, independent
- Input Voltage 220-240VAC
- Protections: SCP/OLP/OVP
- Power Factor : 0.95
- Efficiency:  $\geq 85\%$
- 5 years warranty

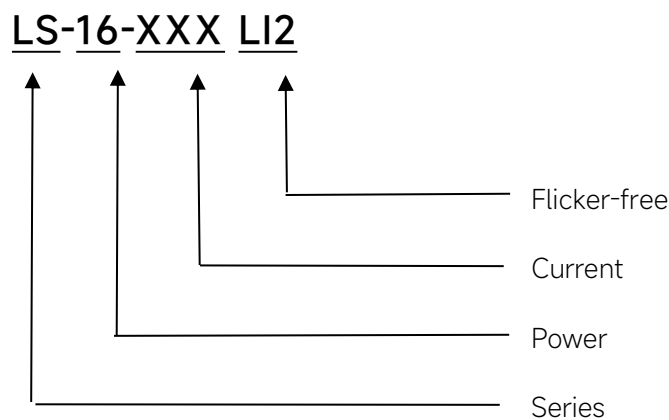
### Applications

- LED panel, LED down light
- LED spot light

### ◆ Description

LS-16-XXX LI2 is a 16W constant current LED driver with 300 to 700mA output current. With it's compact dimensions from 100 x 38 x 25mm it is easy to integrate in LED Panel, spot, down lights. To ensure trouble-free operation, protection is provided against output short circuit and over Load.

### ◆ Model code



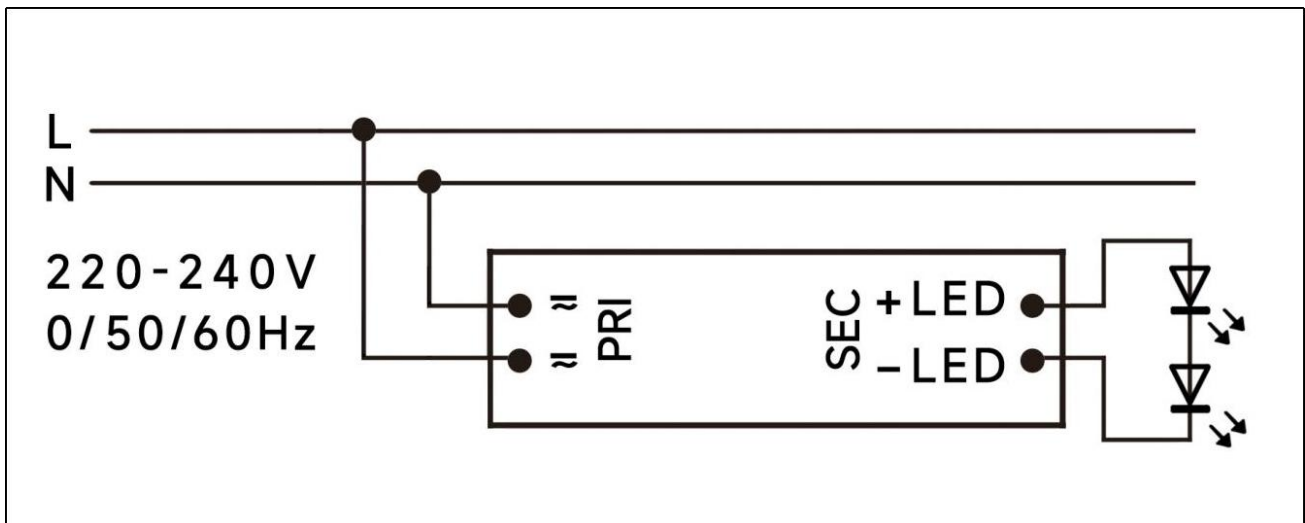
## ◆ Specification

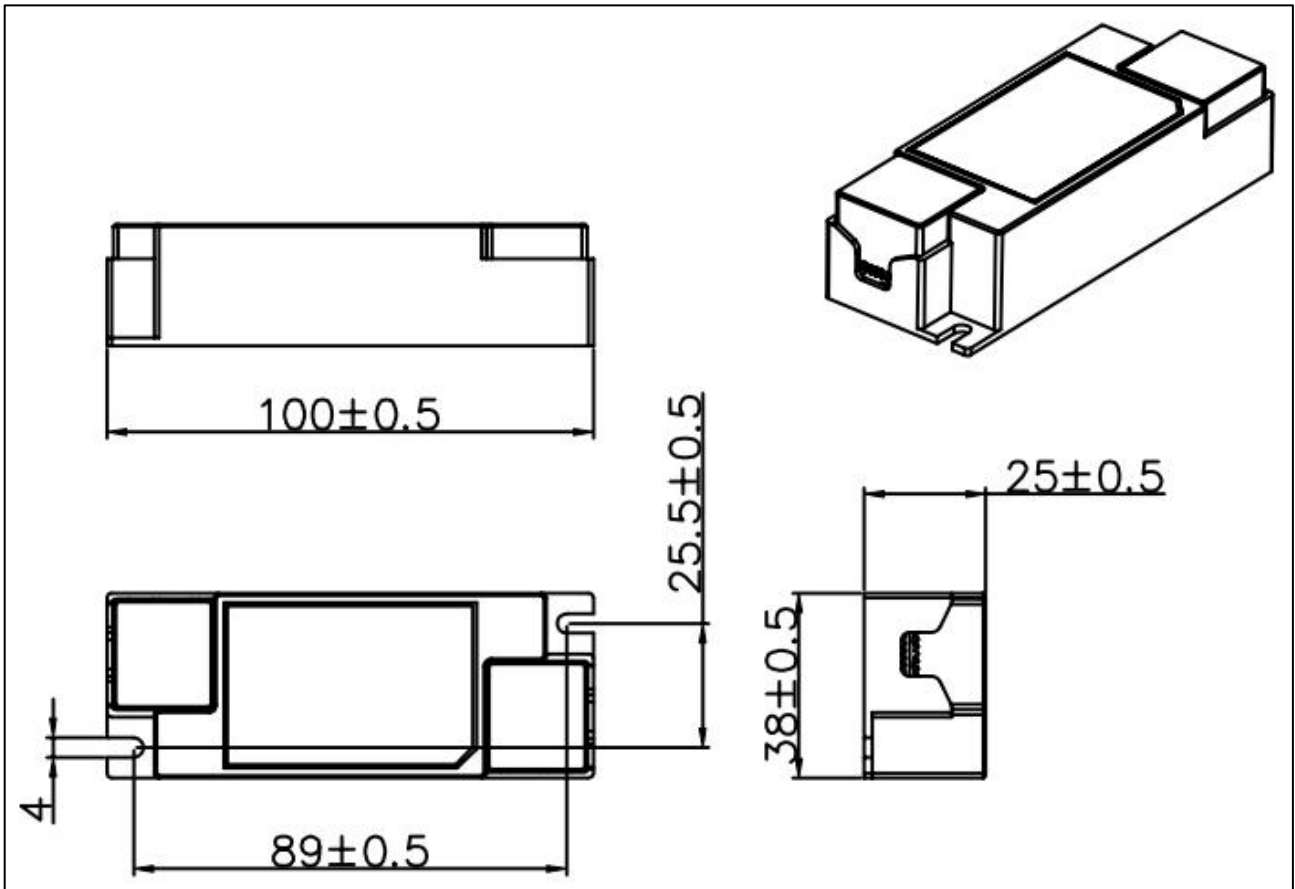
Output	Constant Current	300mA	350mA	400mA	...	700mA
	Voltage Range	20-46VDC		24-42VDC	...	14-23VDC
	Unload voltage Max.	56VDC		50VDC	...	33VDC
	Current Accuracy	±5%				
	Output HF current ripple(≥1KHz)	±5%				
	Output LF current ripple(≤120Hz)	±3%				
	SVM	≤0.4				
	P <sub>st</sub>	≤1				
	Efficiency(Typ.)	≥85%				
Input	Rated input voltage	220-240VAC				
	Range of input voltage	176-264VAC				
	DC voltage range	176-280V				
	Frequency(Hz)	0/50/60 Hz				
	Displacement factor	≥0.7				
	Power Factor	0.95				
	Input Current max	0.12A MAX.				
	Start-up time	< 0.5S				
	No Load Power	≤0.5W				
	THD (Typ.)	< 20%				
Protection	Over Load Protection	103-120% YES/Auto Resume				
	Over Voltage Protection	56VDC	50VDC	...	33VDC	YES/Auto Resume
	Short circuit Protection	YES/Auto Resume				
Environment	Operating Temperature	-20°C~+45°C				
	Humidity	20%-90%RH				
	T <sub>c</sub>	80°C				
	Storage Temperature	-25°C~+60°C				
	Life time	> 50000h@T <sub>c</sub> =70°C				
Surface	Dimension	100X38X25(LXWXH)mm				
standards	EN 61347-1; EN61347-2-13; EN62384; EN55015; EN61000-3-2 ; EN61000-3-3; EN 61547					
Others	ErP	EU 2019/2020				
	RoHS	RoHS (2011/65/EU) (EU)2015/863				
Note	<p>1.All parameters NOT specially mentioned are measured at 230VAC input , full load and 25°C of ambient temperature.</p> <p>2.Ripple &amp; Noise are measured at 20MHz of bandwidth by using a 300mm twisted pair-wire terminated with a 0.1uF &amp; 47 uF parallel capacitor.</p>					

### ◆ Model list

Number	Model number	Input			Output			
		Voltage (VAC)	Current (A)	Frequency (Hz)	Current (mA)	Voltage (VDC)	Voltage No load (VDC)	Power (W)
1	LS-16-300 LI2	220-240	0.12	50/60	300	20-46	56	13.8
2	LS-16-350 LI2				350	20-46	56	16.1
3	LS-16-400 LI2				400	24-42	50	16.8
4	LS-16-450 LI2				450	21.5-36	46	16.2
5	LS-16-500 LI2				500	19-32	42	16
6	LS-16-550 LI2				550	18-30	40	16.5
7	LS-16-600 LI2				600	16-27	37	16.2
8	LS-16-650 LI2				650	15-25	35	16.3
9	LS-16-700 LI2				700	14-23	33	16.1

### ◆ Wiring diagram

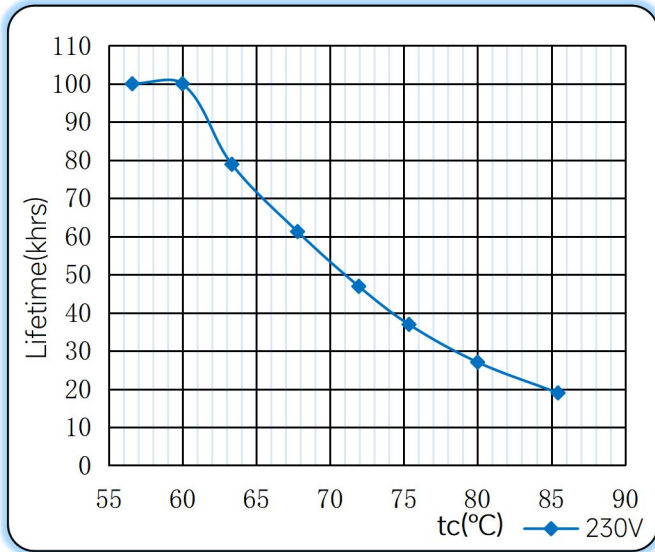


**◆ 2D diagram**

**◆ Wiring & Connections**

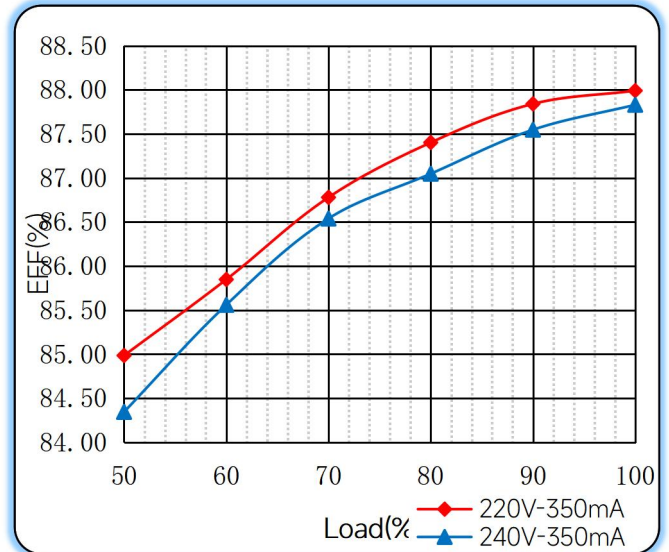
Specification item		Value (Unit )
Input	Input wire cross-section	0.5...1.5 mm <sup>2</sup>
	Input wire gauge.	16...20 AWG
	Input wire strip length	7...9mm
Output	Output wire cross-section	0.5...1.5 mm <sup>2</sup>
	Output wire gauge.	16...20 AWG
	Output wire strip length	7...9mm

◆ **Curve for LS-16-350 LI2, I<sub>o</sub>=350mA**

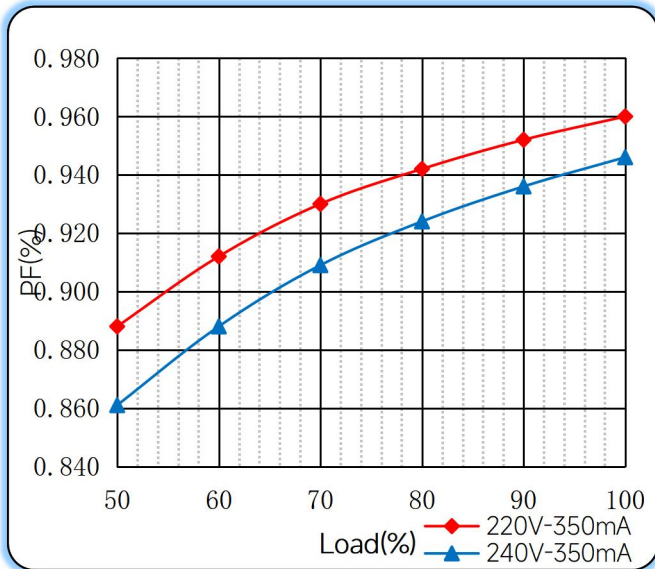
Lifetime vs. Temperature Curve



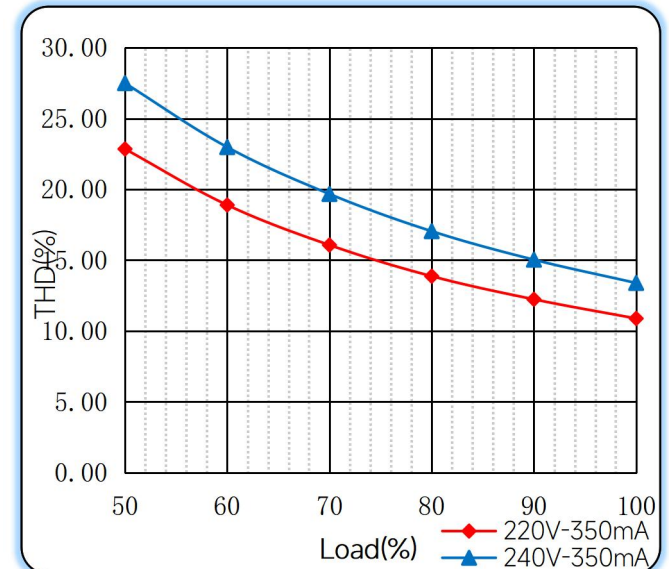
Efficiency vs. Load



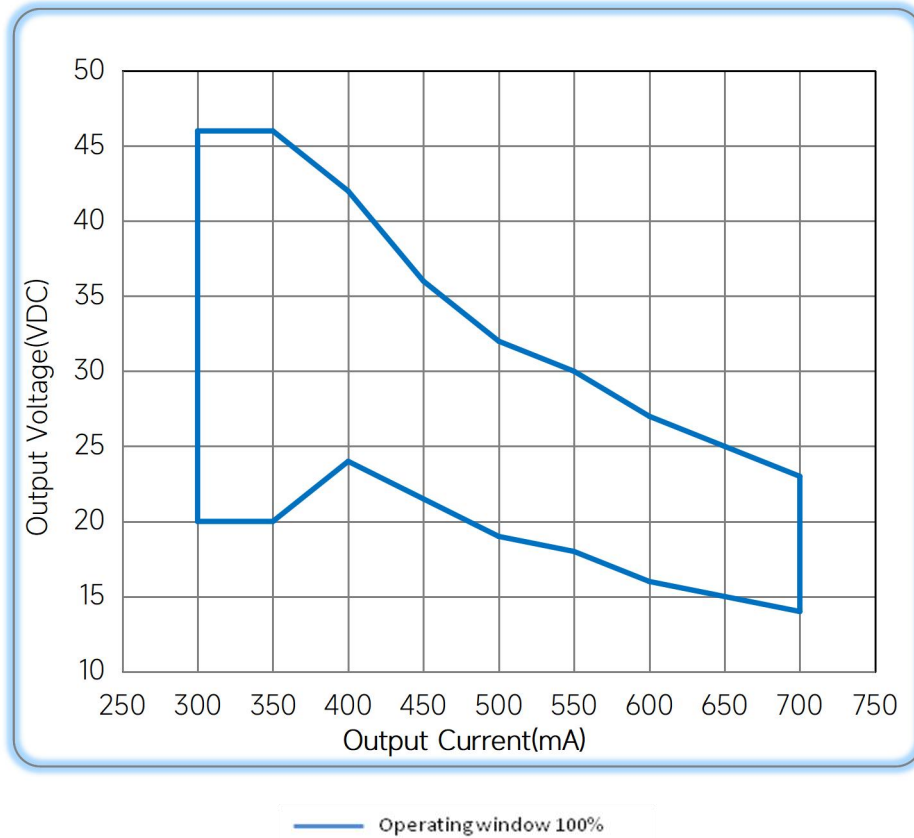
Power Factor Characteristics



THD vs. Load



◆ **Operating window**



◆ **Revision Updates**

ITEM	BEFORE	AFTER	VERSION	DATE
Initial			A	2022/05/15



**Citi-el**  
LED up your business

+7 (499) 647-80-74

zakaz@citi-el.ru

www.citi-el.ru